

XMS Exit Motion Sensor

Versatile motion detection for hands-free exit request



The XMS passive infrared (PIR) motion sensor request to exit (REX) device reliably detects motion near a door and releases its lock.

Versatile mounting options and an easily adjustable infrared beam pattern provide optimal coverage of the egress area for smooth, hands-free lock release and exit.

SAFETY NOTE: Securitron recommends that an emergency exit button, such as the EEB, be used in conjunction with the XMS to meet applicable building codes and specific life safety issues.

Features

Standard Features

- Passive infrared (PIR) request to exit (REX) device
- Automatically and reliably cuts power to the lock with no human intervention
- REX output
- Easily adjustable beam pattern
- Adjustable time relock
- MagnaCare® lifetime replacement, no-fault, no questions asked warranty

Specifications

Operation

- Indoor use only

Electrical

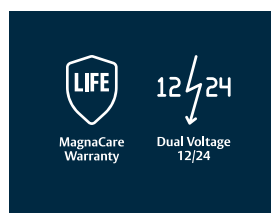
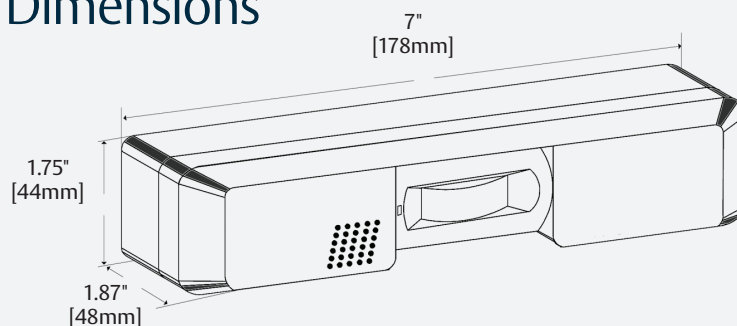
- 20 mA-50 mA (depending on switching status) at 12 or 24 VDC

Shipping Weight

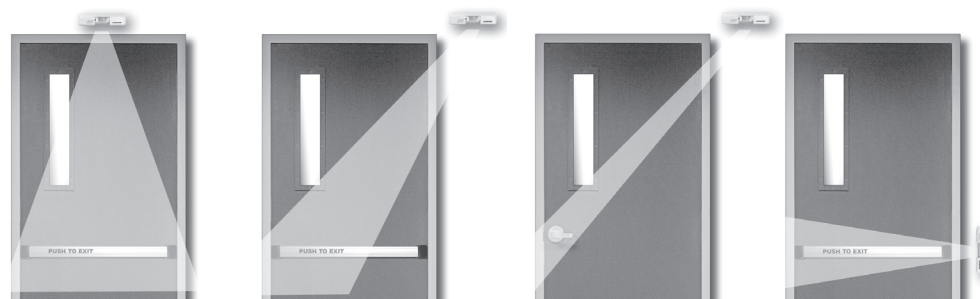
- 0.5 lbs [0.23kg]



Dimensions



SECURITRON
ASSA ABLOY



US securitron.com | 800 626 7590 | customerservice.securitron@assaabloy.com

Canada assaabloydss.ca | 800 461 3007 | sales.dss.ca@assaabloy.com